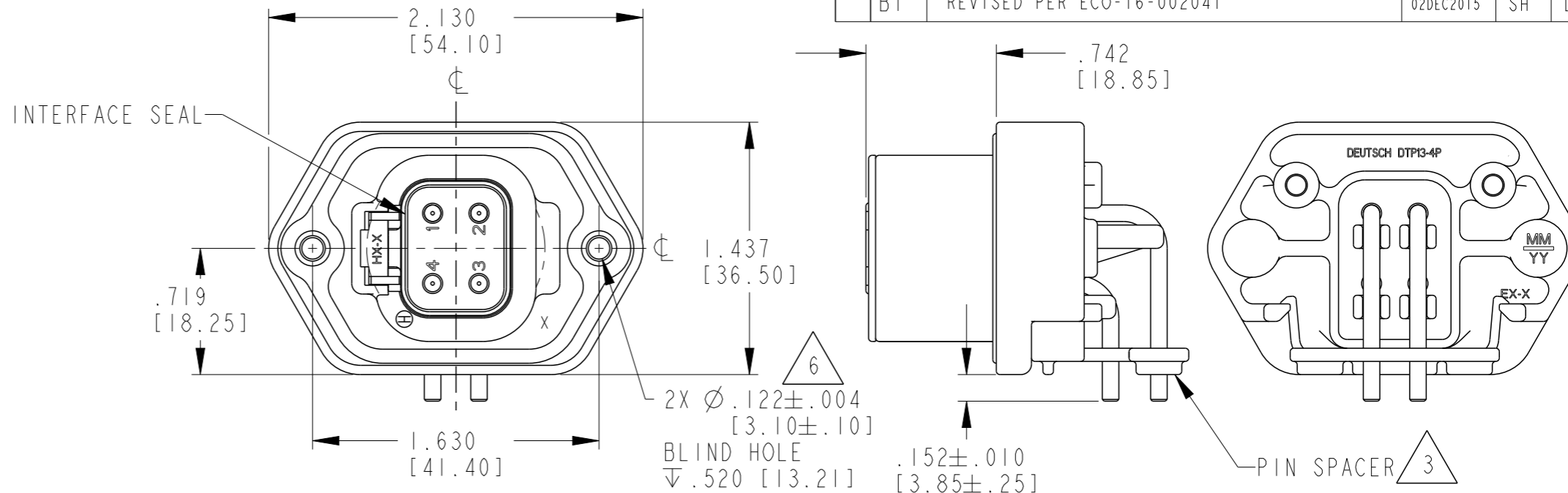
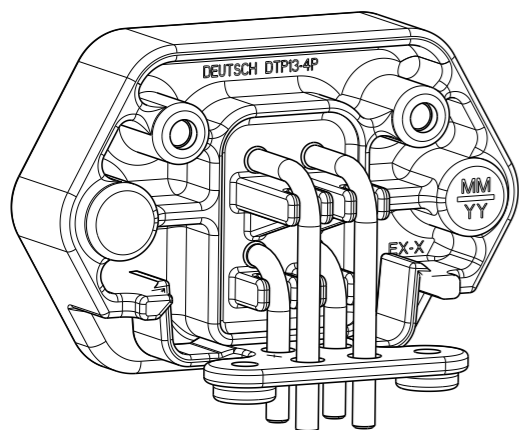
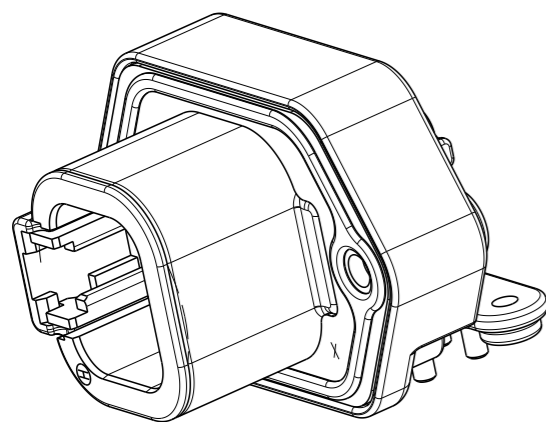
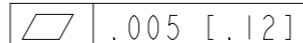


LOC	DIST	REVISIONS				
P	LTR	DESCRIPTION	DATE	DWN	APVD	
-	-	NC	NEW RELEASE PER E.O. P21267	14FEB2012	-	RDR
-	-	A	REVISED PER E.O. P21472	28SEP2012	-	DM
-	-	B	REVISED PER ECO-15-003592	20APR2015	VNB	DM
-	-	BI	REVISED PER ECO-16-002041	02DEC2015	SH	DM



7. PANEL SURFACE FINISH: 32 RMS [0.8 μM] OR BETTER



6. RECOMMENDED SCREW: 6-19 [M3.63 X 1.34] PLASTITE 48, SINGLE HELIX TORQUE: 11-15 IN-LB [1.24-1.70 NM]

5. RECOMMENDED SCREW: 4-20 [M3.12 X 1.27] PLASTITE 48, SINGLE HELIX TORQUE: 6-10 IN-LB [0.67-1.13 NM]

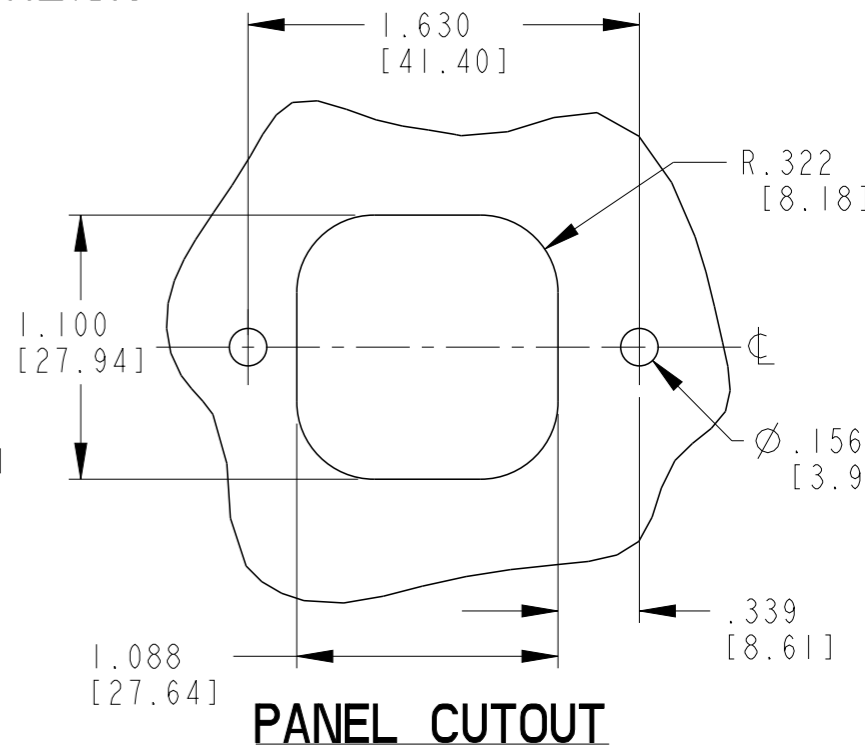
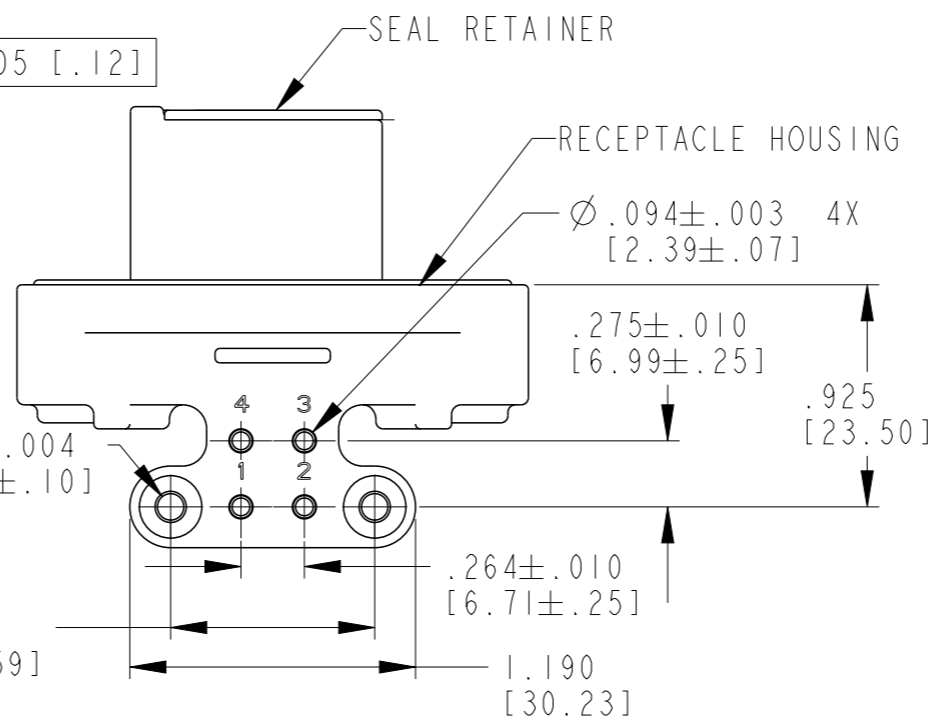
4. THE RECEPTACLE MATES WITH DTP06-4S-XXXX PLUG (XXXX = ALL MODIFICATIONS)

3. PIN PLATING:
 MATING SIDE: TIN (ROHS)
 PCB SIDE: TIN (ROHS)

2. MATERIAL:
 RECEPTACLE: PA46 GF30 (BLACK)
 SEAL RETAINER: PA46 GF10 (BLACK)
 PIN SPACER: PA46 GF30 (BLACK)
 FLANGE SEAL: SILICONE (RED-ORANGE)
 INTERFACE SEAL: SILICONE, PHENYL FLUID LUBED (GREEN)
 PIN: COPPER ALLOY

1. DIMENSIONAL TOLERANCES: ±.025 [.64]
 PANEL CUTOUT: ±.010 [.25]
 PIN LOCATION: ±.005 [.13]
 MOUNTING HOLE LOCATION: ±.010 [.25]

NOTES: UNLESS OTHERWISE SPECIFIED



THIS DRAWING IS A CONTROLLED DOCUMENT.		DWN	K. McKEE 17NOV2011																
DIMENSIONS: INCHES [mm]		CHK	B. BYFORD 28SEP2012																
TOLERANCES UNLESS OTHERWISE SPECIFIED:		APVD	D. MEYER 28SEP2012																
<table border="0"> <tr> <td>0 PLC</td> <td>±.</td> <td rowspan="4"> </td> </tr> <tr> <td>1 PLC</td> <td>±.</td> </tr> <tr> <td>2 PLC</td> <td>±.</td> </tr> <tr> <td>3 PLC</td> <td>±.</td> </tr> <tr> <td>4 PLC</td> <td>±.</td> <td></td> </tr> <tr> <td>ANGLES</td> <td>±.</td> <td></td> </tr> </table>		0 PLC	±.		1 PLC	±.	2 PLC	±.	3 PLC	±.	4 PLC	±.		ANGLES	±.		PRODUCT SPEC	NAME	
0 PLC	±.																		
1 PLC	±.																		
2 PLC	±.																		
3 PLC	±.																		
4 PLC	±.																		
ANGLES	±.																		
MATERIAL		APPLICATION SPEC	90 DEGREE PCB MOUNT RECEPTACLE 4 SIZE 12 CONTACTS DTP SERIES																
FINISH		WEIGHT	SIZE	CAGE CODE															
2		38.48g	A3	-															
		Customer Drawing	DRAWING NO	RESTRICTED TO															
			©-DTP13-4P	-															
		SCALE	SHEET	OF															
			REV	BI															